

Torso-One

Quick Start Guide for Android and iOS

Getting Started

Step 1  Fully charge the tablet prior to use

Step 2  Connect tablet to Wi-Fi

Step 3  Download EchoNous Ultrasound App



App: EchoNous Kosmos Ultrasound App
EchoNous, Inc.

Note: Android and iOS users must download the EchoNous Kosmos Ultrasound App.

iOS



Download EchoNous Kosmos Ultrasound App from the Apple App Store.

Android

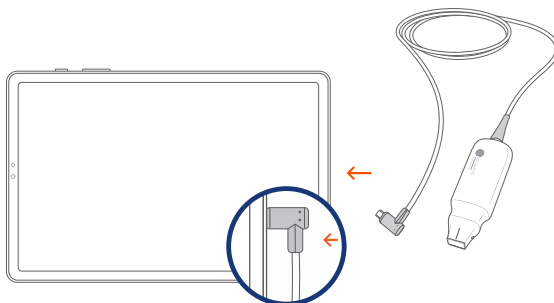


Download EchoNous Kosmos Ultrasound App from the Google Play Store.

Step 4 Connect Torso-One

Connect Torso-One to the USB-C port on the side of your device.

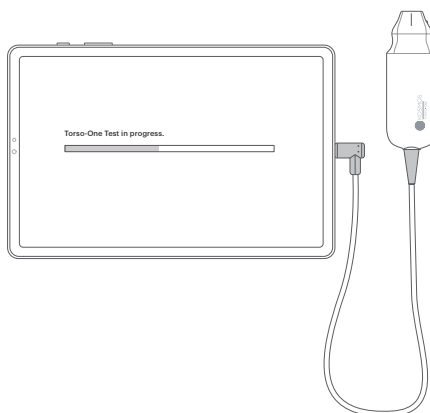
Note: To register your transducer and licensed features for the first time, the probe must be connected to the device and your device must be connected to the internet. This step may take a few minutes.



Step 5 Transducer Element Check

An automatic Transducer Elements Test is initiated every time a Kosmos probe is connected to a device.

With the completion of a successful test, users can begin scanning.



Customer Support

Call 1-844-854-0800
Email support@echonous.com

Electronic versions of the Kosmos User Guides may be viewed and downloaded at echonous.com/resources

Printed versions of the Kosmos User Guides may be requested by emailing service@echonous.com or by calling 1-844-854-0800.



Android is a trademark of Google LLC.

©2023 EchoNous, Inc. EchoNous and KOSMOS are registered trademarks of EchoNous, Inc.

Caution: Federal (United States) law restricts this device to sale by or on the order of a physician.

Note: Not all features are available in all markets, please check with your local representative for availability in your region.

P007872-001 Rev A