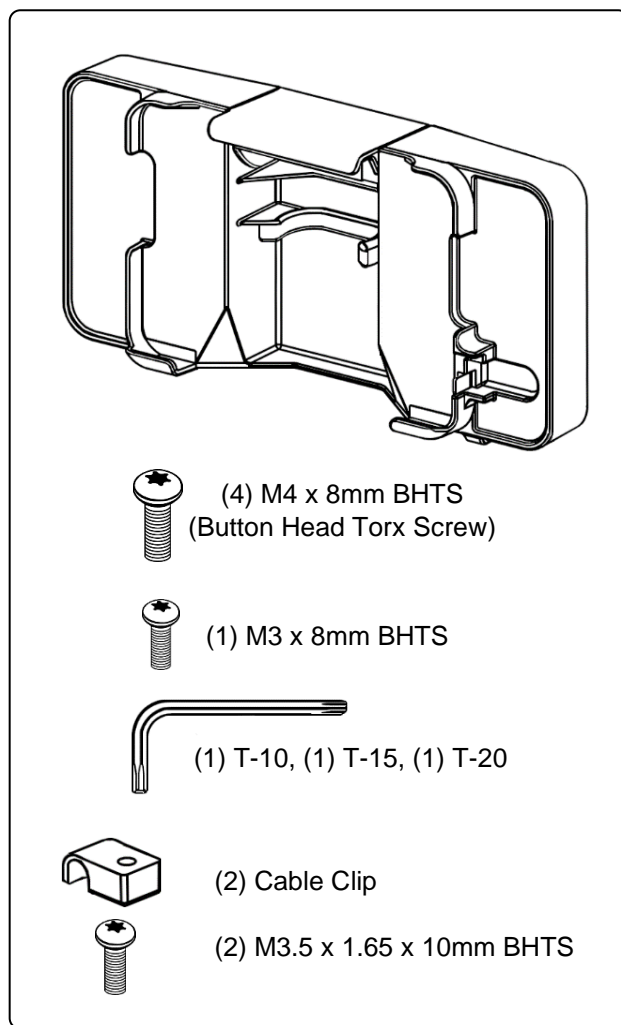
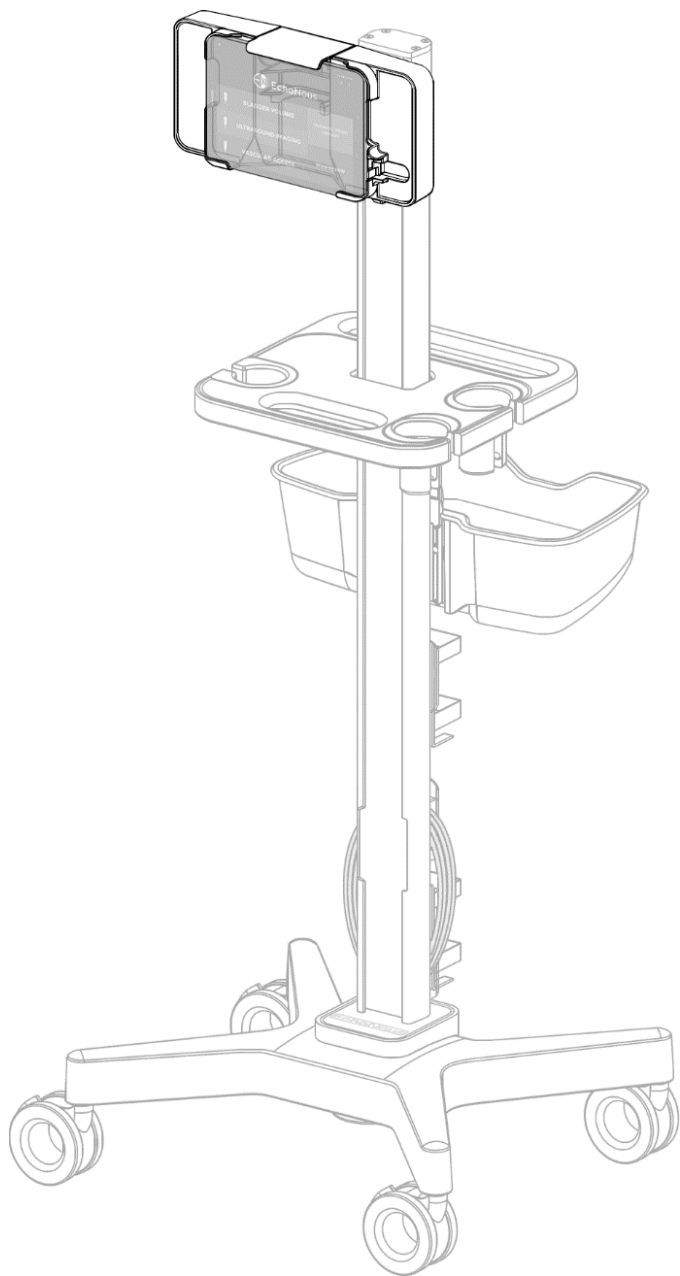




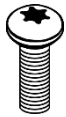
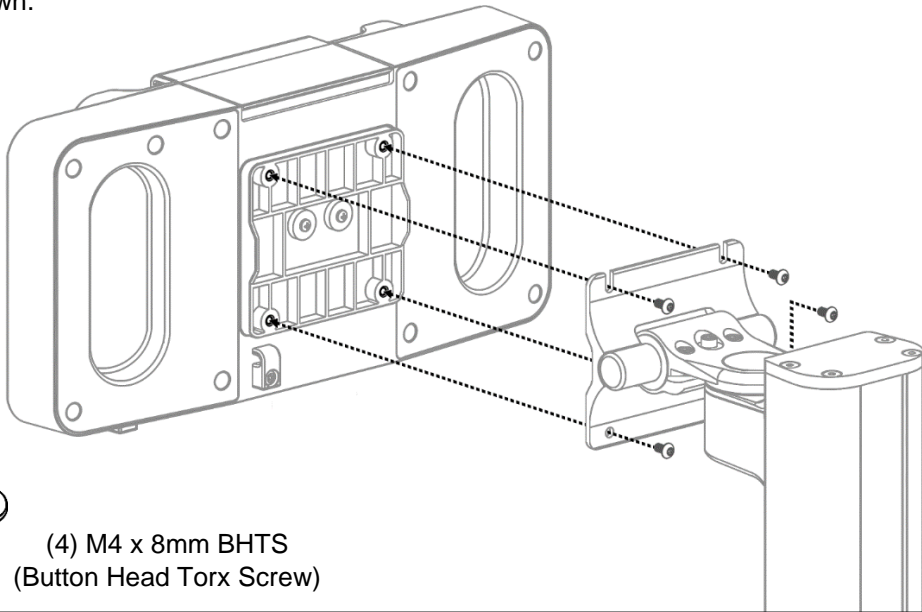
# AI Station

**Kosmos**

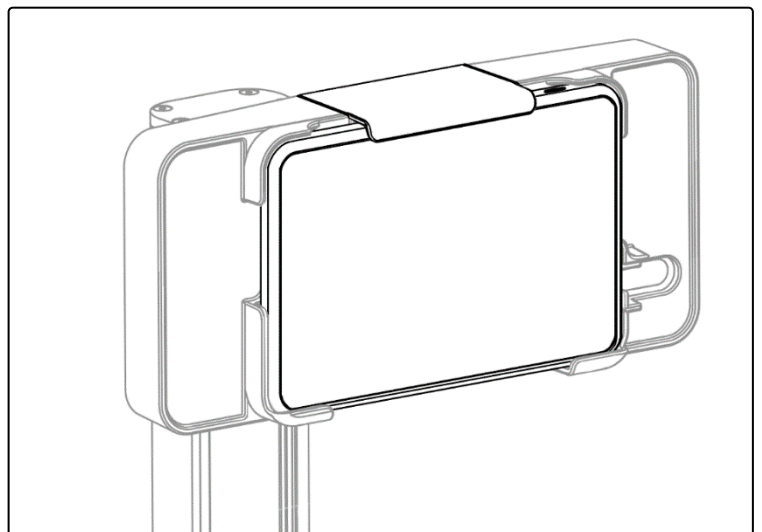
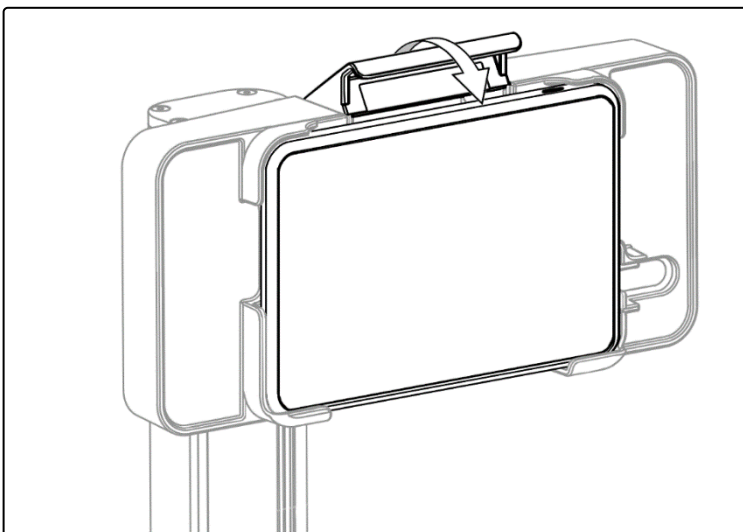
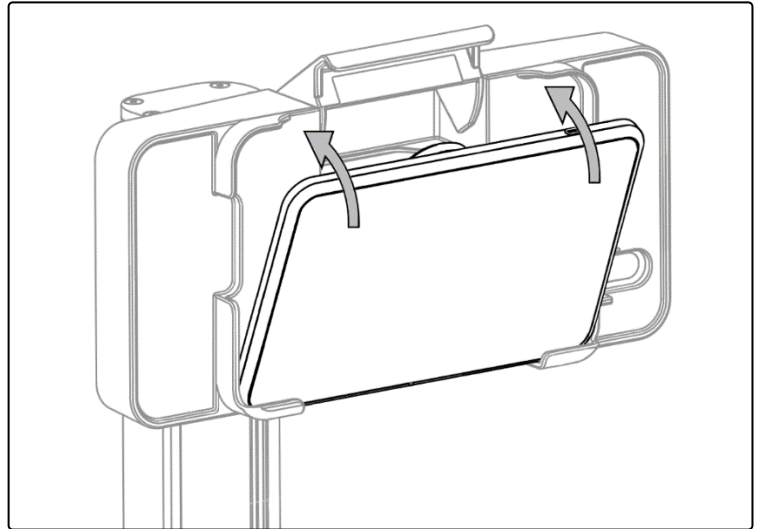
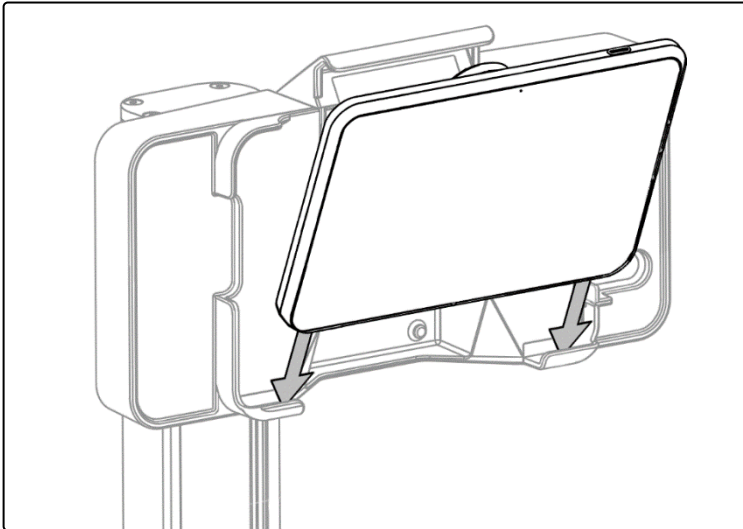


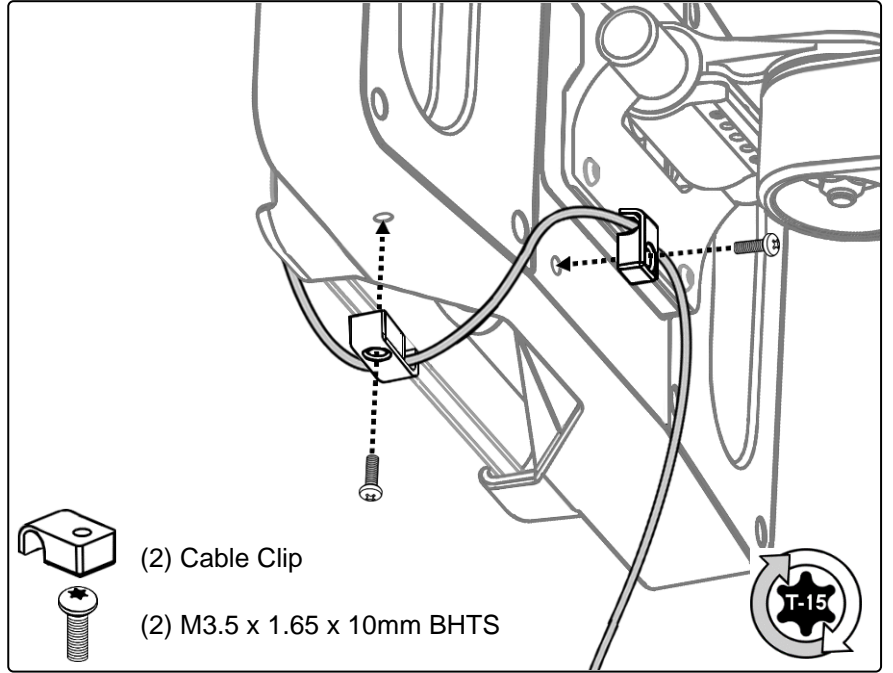
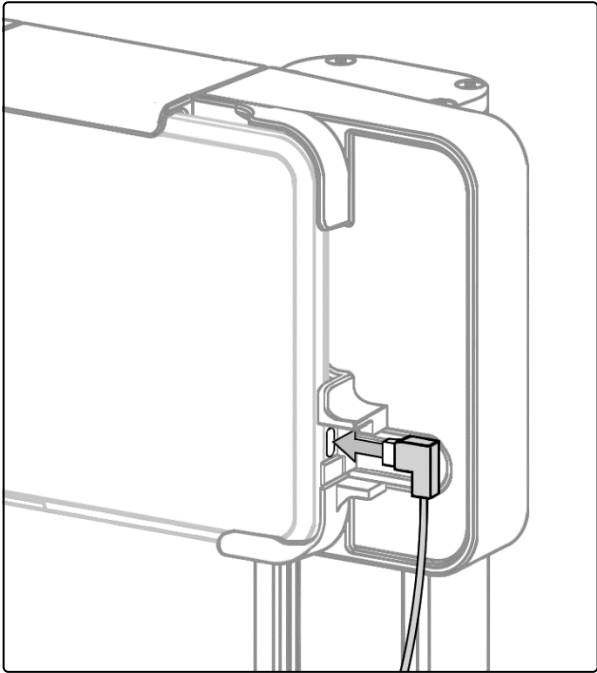
## Installing tablet mount to column

Using a T20 Torx wrench, secure tablet mount with (4) M4 x 8mm BHTS as shown.



(4) M4 x 8mm BHTS  
(Button Head Torx Screw)



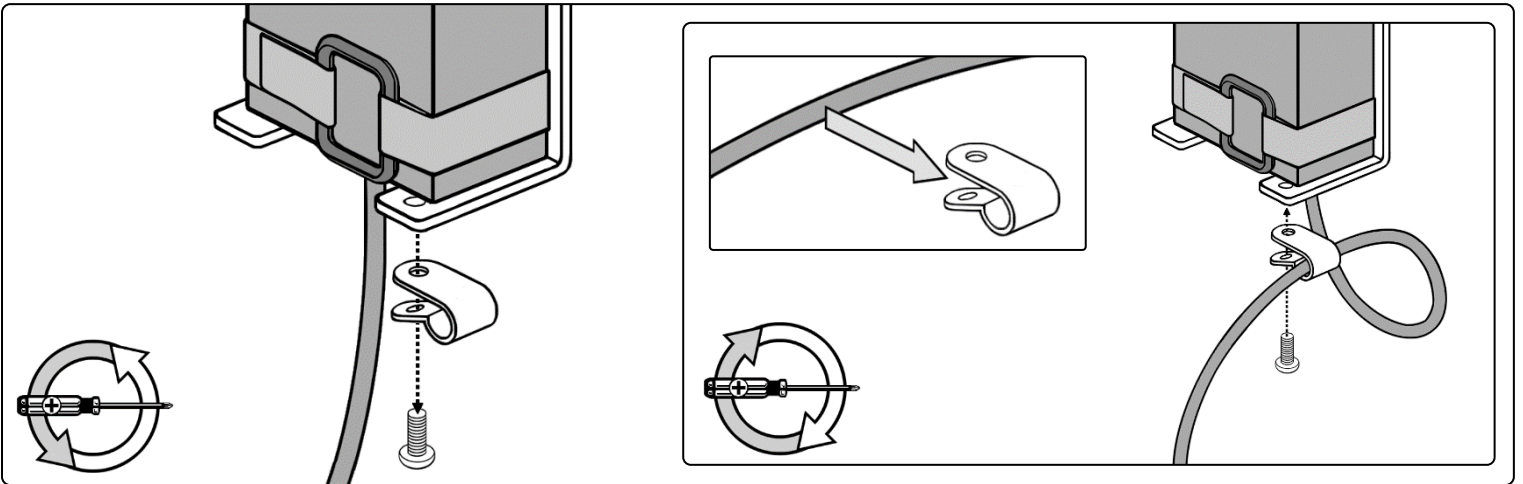
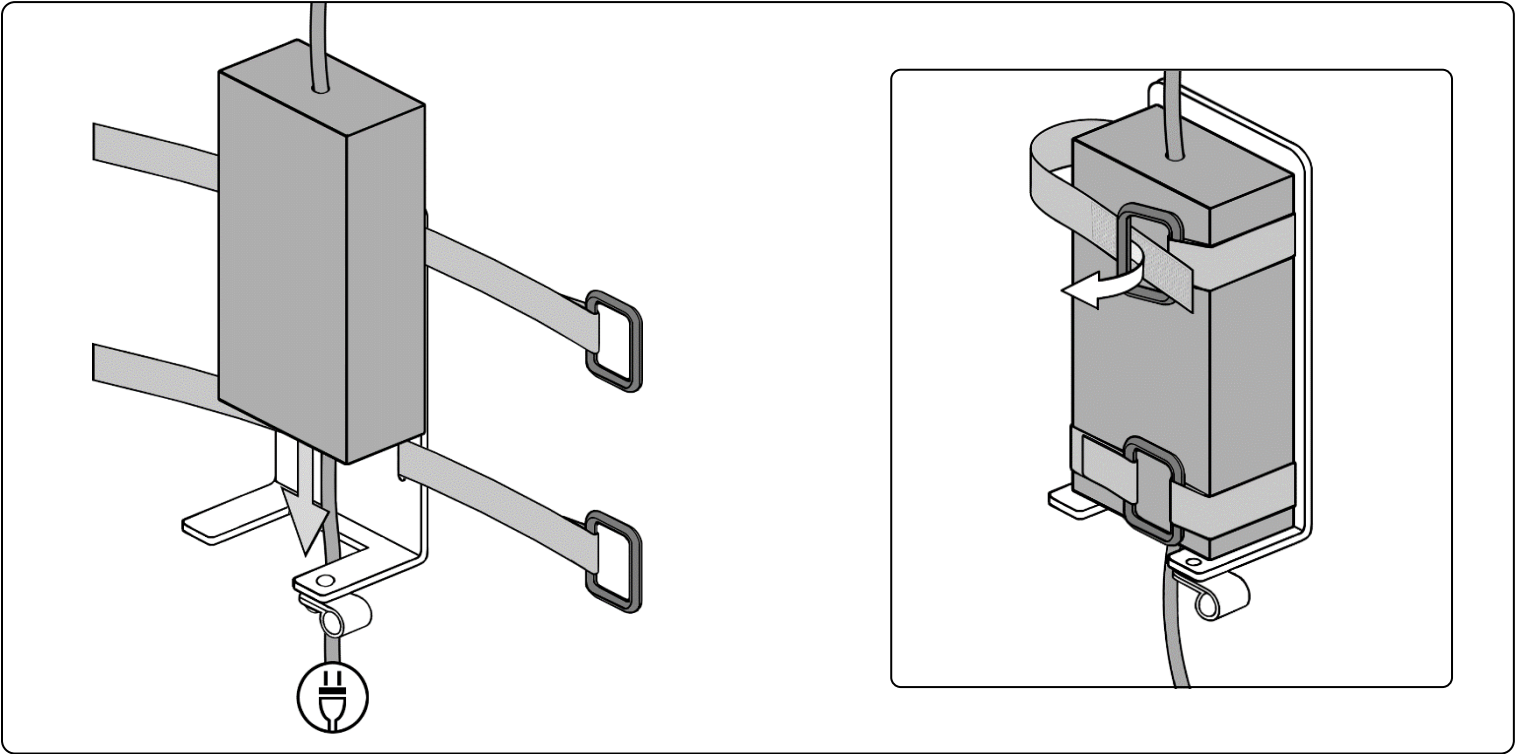


(2) Cable Clip

(2) M3.5 x 1.65 x 10mm BHTS



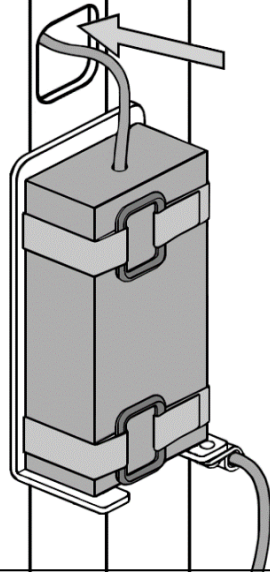
# Installing Power Supply



## Cable Routing

### Column Cutouts

Route cable through cutouts in the column and up to tablet.



### Cable Cleat

Store power supply cord on cable cleat.

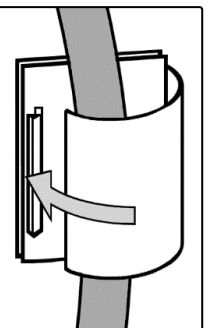
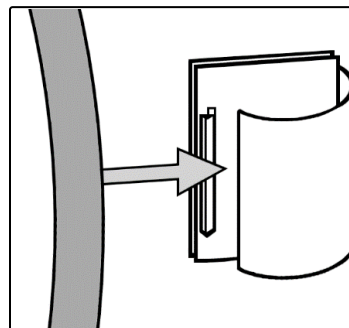
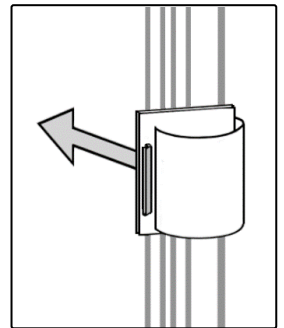
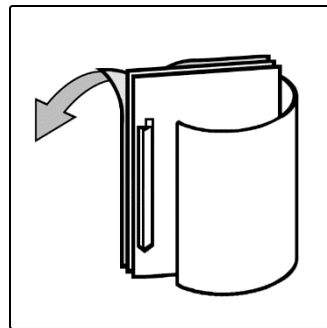
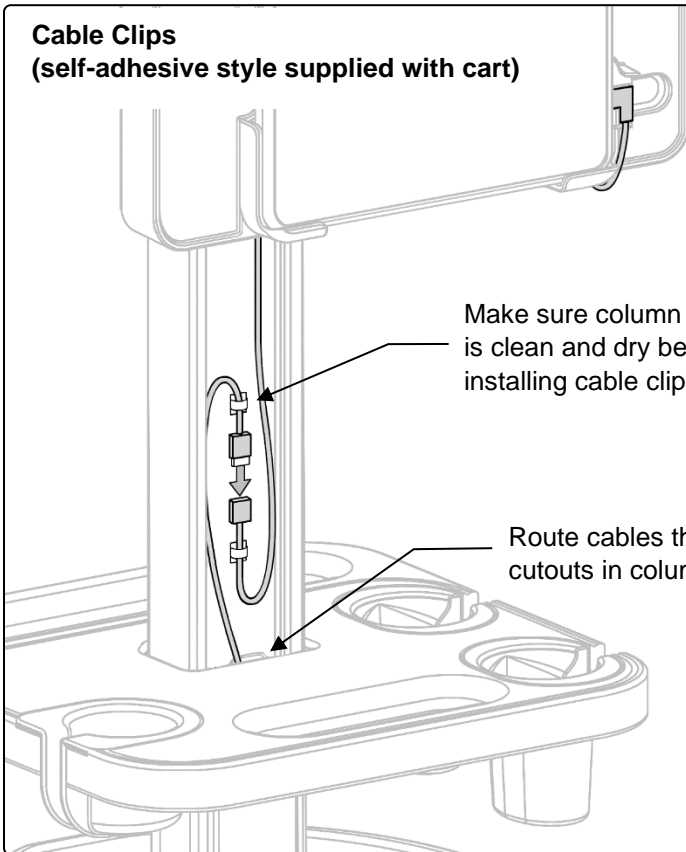


### Cable Clips

(self-adhesive style supplied with cart)

Make sure column surface is clean and dry before installing cable clips.

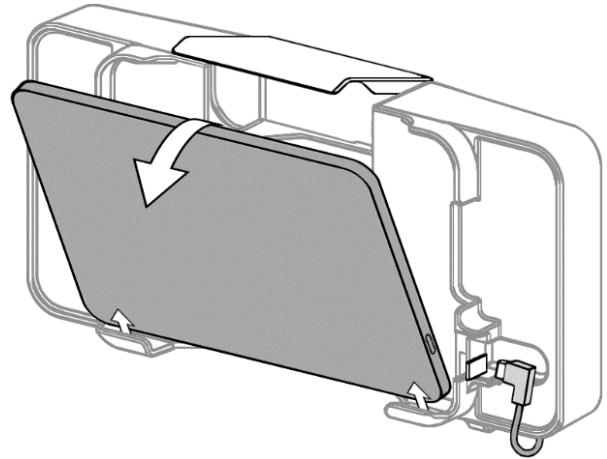
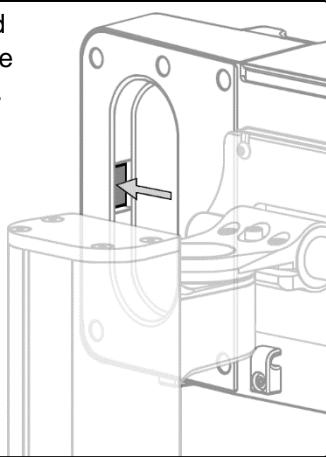
Route cables through cutouts in column.



## Tablet Release

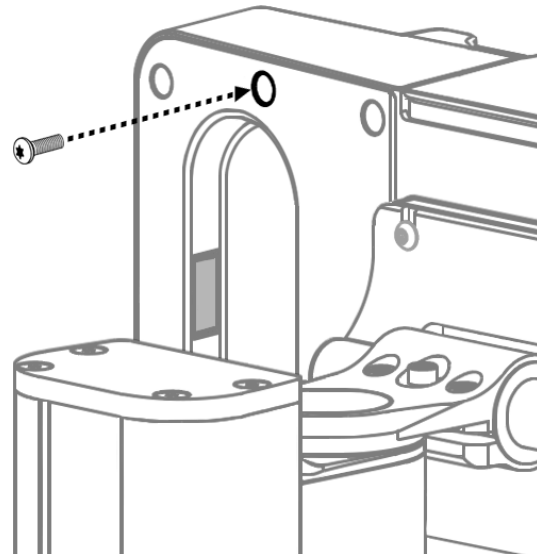
To remove the Kosmos Bridge, press the release button (located on the back of mount). Pivot and lift the Kosmos Bridge out of mount. Power cable will automatically disconnect from Kosmos Bridge.

Release button is located on the backside within the right-side hand grip area.



## Locking the Kosmos Bridge

The Kosmos Bridge may need to be locked inside tablet holder. Once the Kosmos Bridge has been installed, use a T-10 Torx wrench to install (1) M3 x 8mm BHTS into the back of the tablet holder as shown below. This will lock the release button.



(1) M3 x 8mm BHTS

