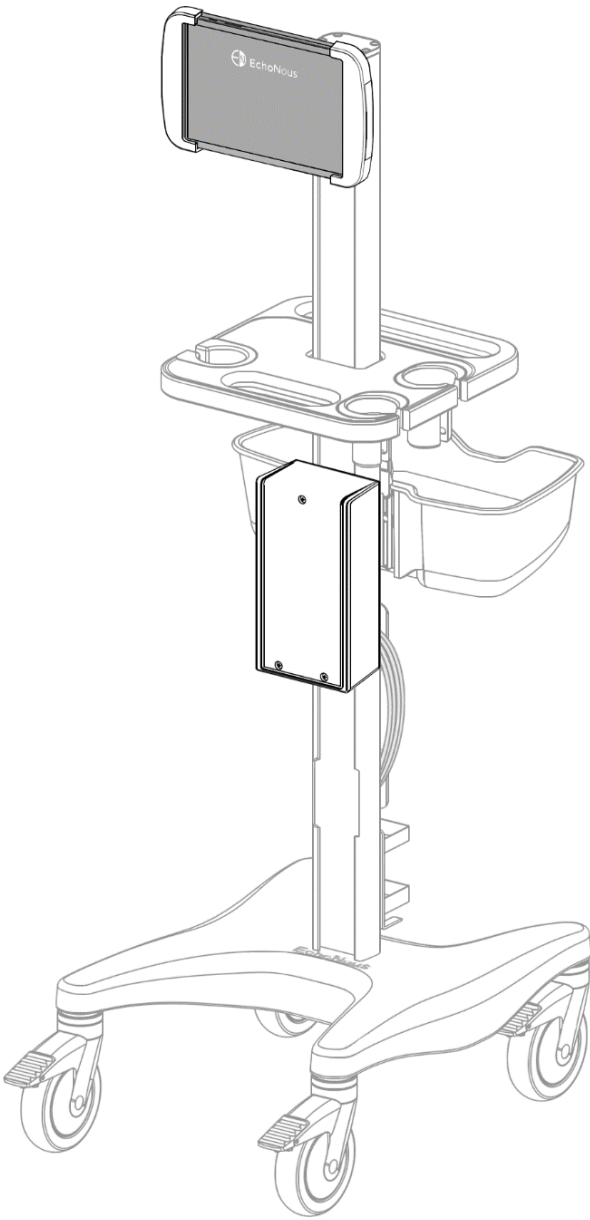




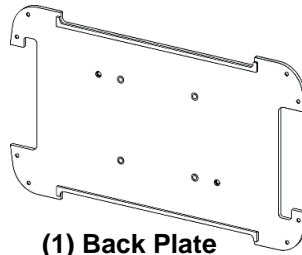
Installation Guide

Samsung Tab S7/S8 Mount for EchoNous AI Stand



Parts Reference

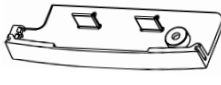
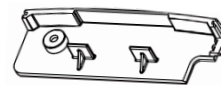
Tablet



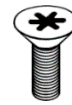
(1) Back Plate



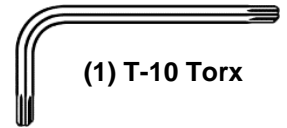
(2) Front End Covers



(2) Access Door



(8) M3.5 x 6mm FHMS Torx



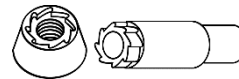
(1) T-10 Torx



(2) M3 x 4mm PHMS

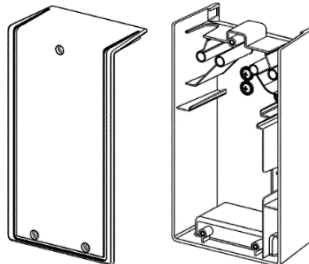


(1) M4 x 6mm PHMS
(1) Cable Clamp



(4) Security Hardware
(1) Socket

e-Enclosure



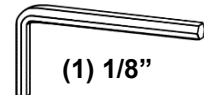
(1) e-Enclosure with cover



(1) 1/4-20 x 3/4 SET SCREW

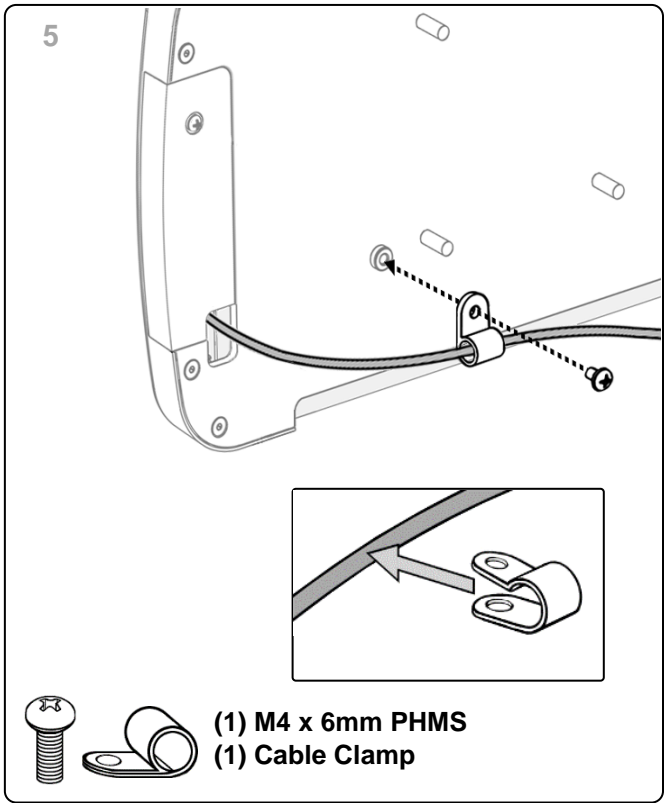
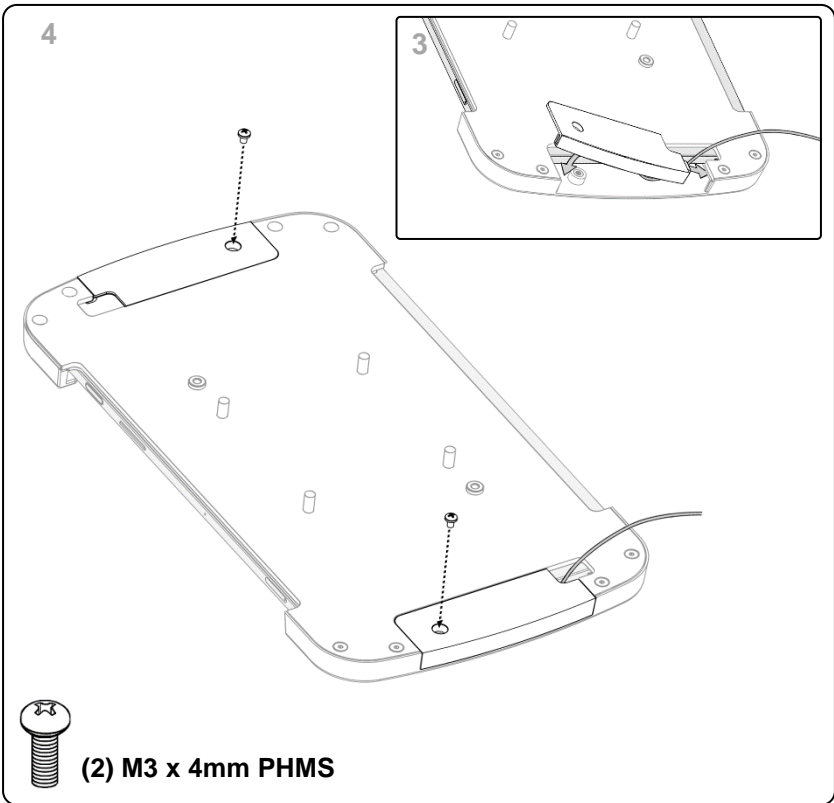
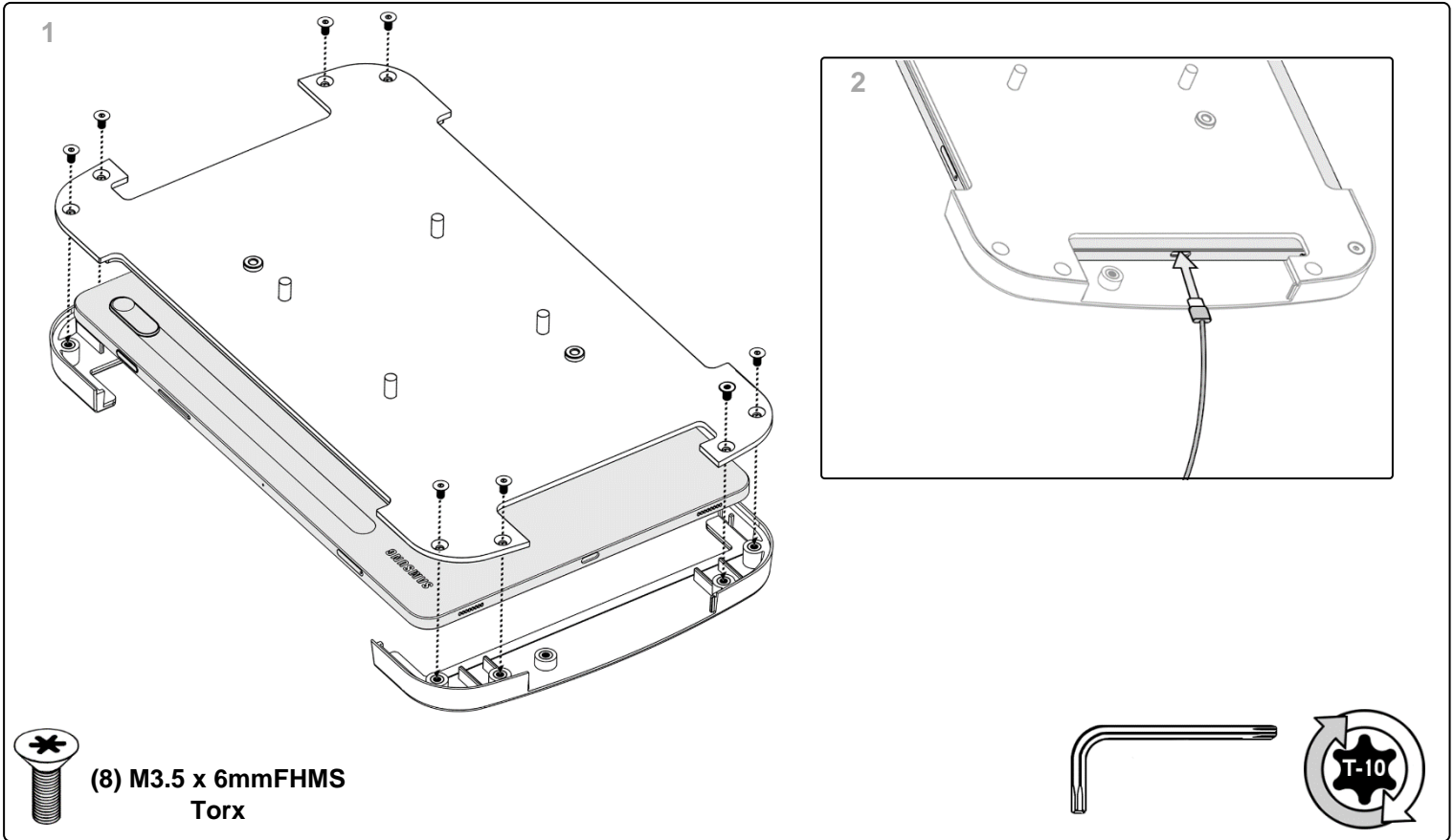


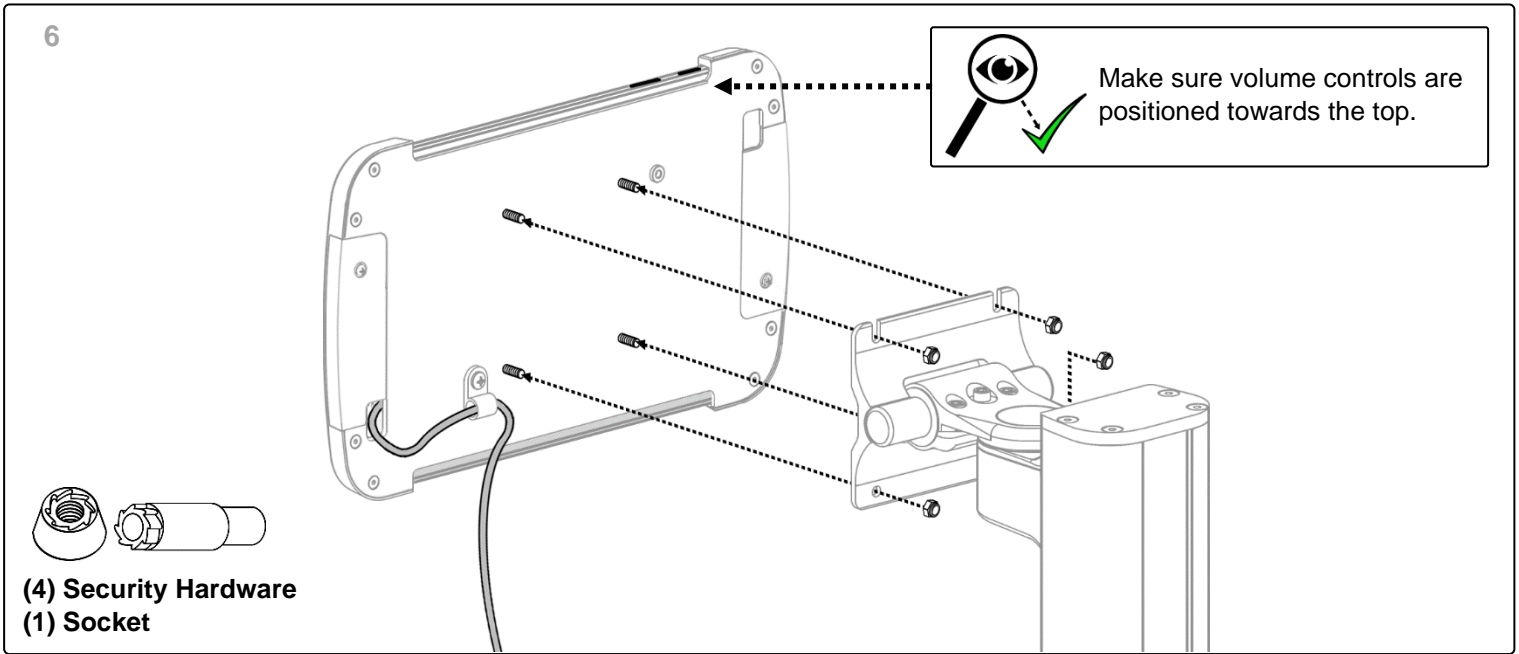
(3) M4 x 12mm PHMS



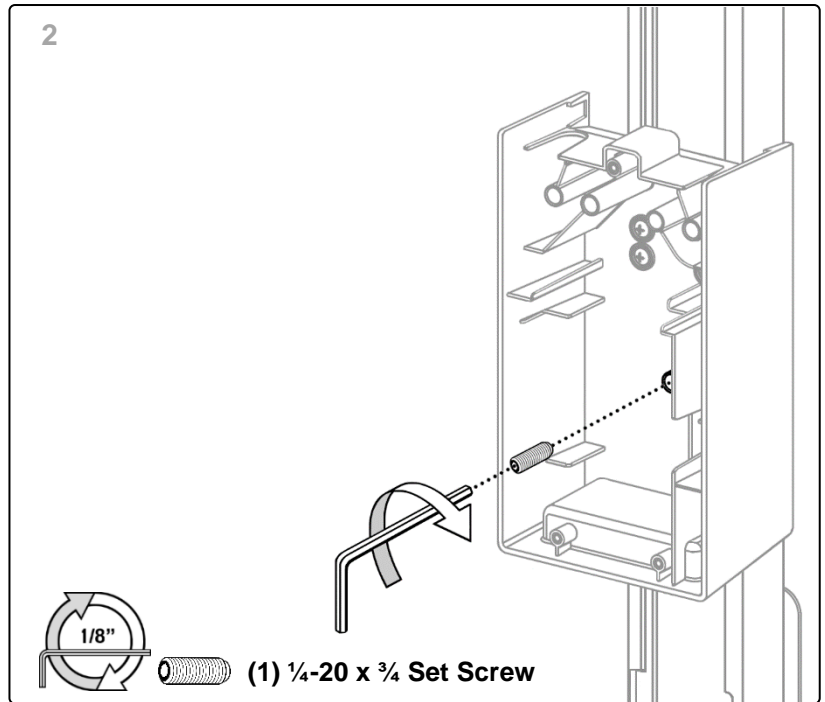
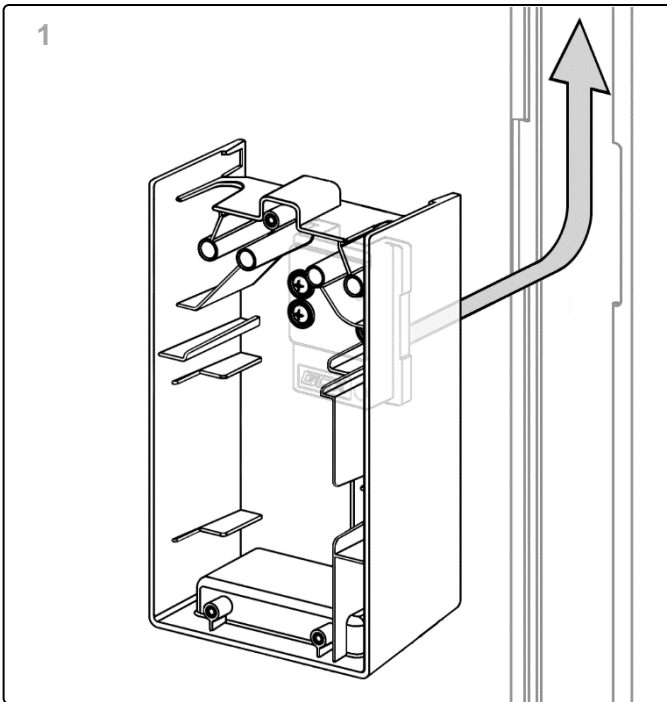
(1) 1/8"

Installing Tablet





Installing e-Enclosure



- 3 Connect the Linear probe USB cable and install the Linear probe as shown.



- 4 Connect the 40" USB cable on the HUB and install on top of the Linear probe eBox.



- 5 Connect the Linear probe USB cable and the R30 Probe cable to the HUB as shown.



- 6 Route the R30 cable and Linear Co-ax cable through the right exit slot. Note – Ensure the R30 cable's ferrite is tucked inside the e-Enclosure.



- 7 Connect the HUB Power supply DC cable (routed through the mouse hole)

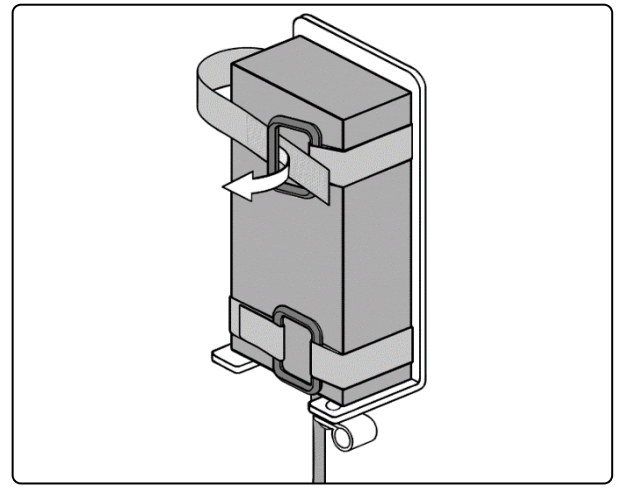
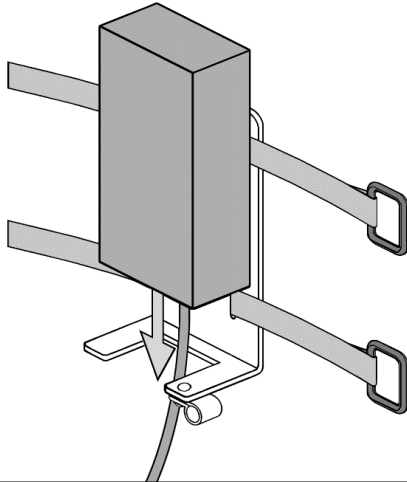


- 8 Route both the USB cable and Power supply cable through the left exit slot. Note – Ensure the power supply DC cable's ferrite is tucked inside the e-Enclosure. Route the USB cable up the column.

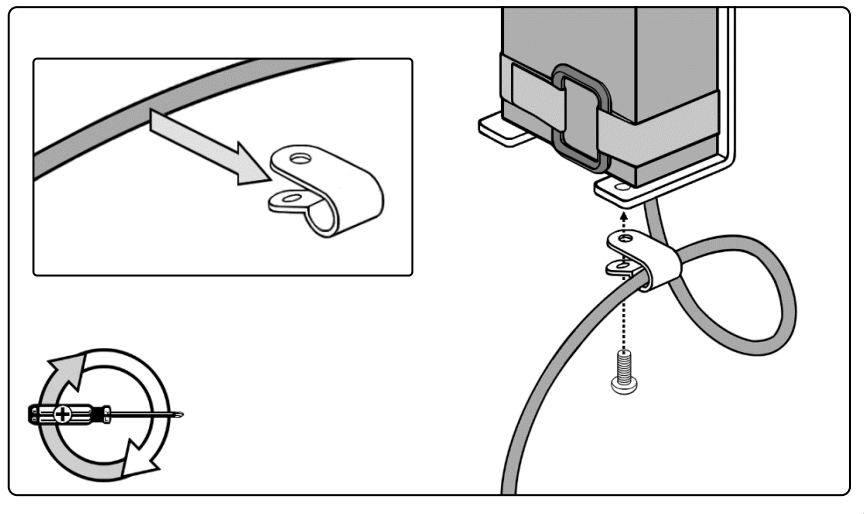
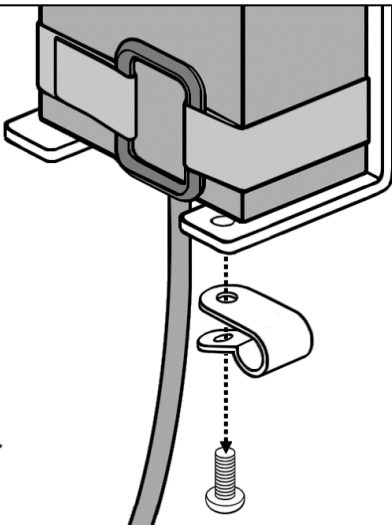


Power Supply Mount (supplied with roll stand)

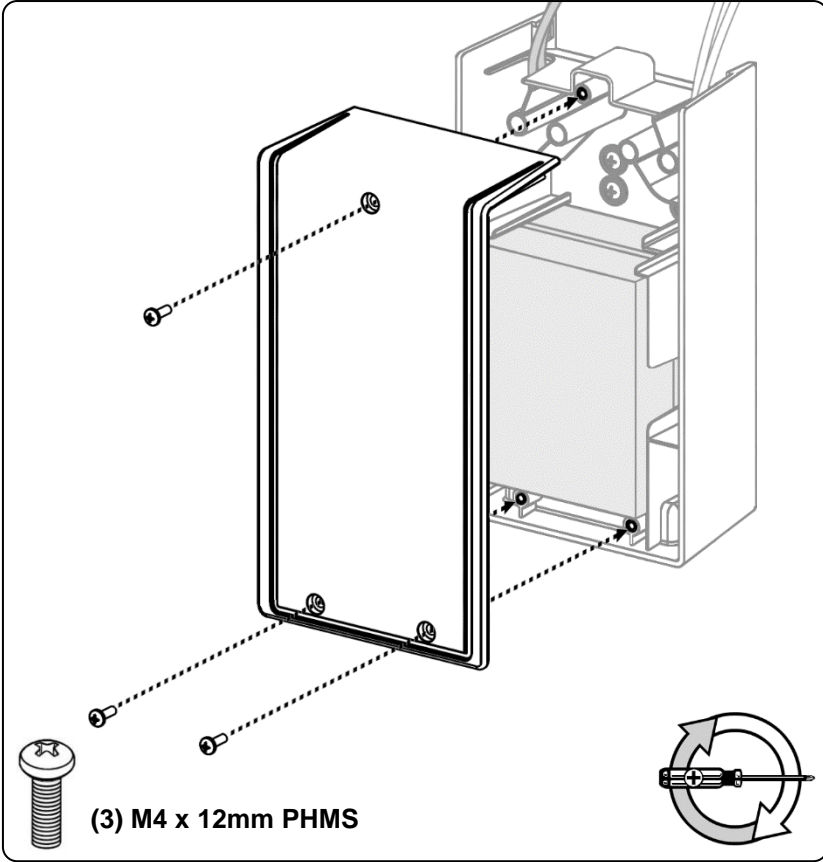
1



2



Attaching e-Enclosure cover



Cable Cleat (supplied with roll stand)

