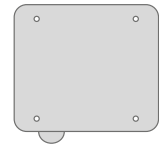
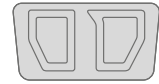
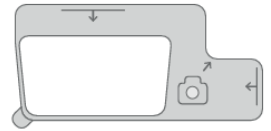
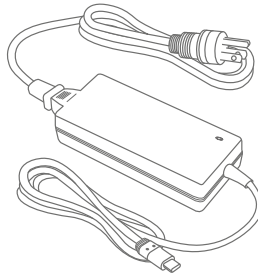
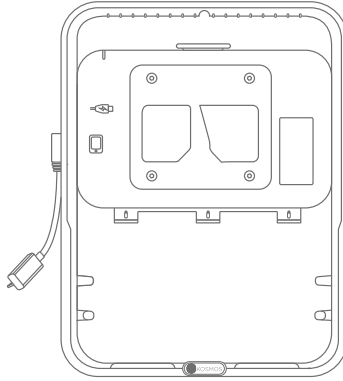
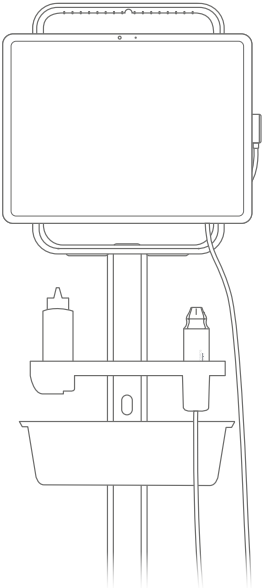
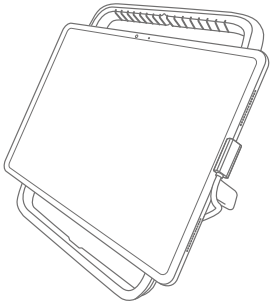
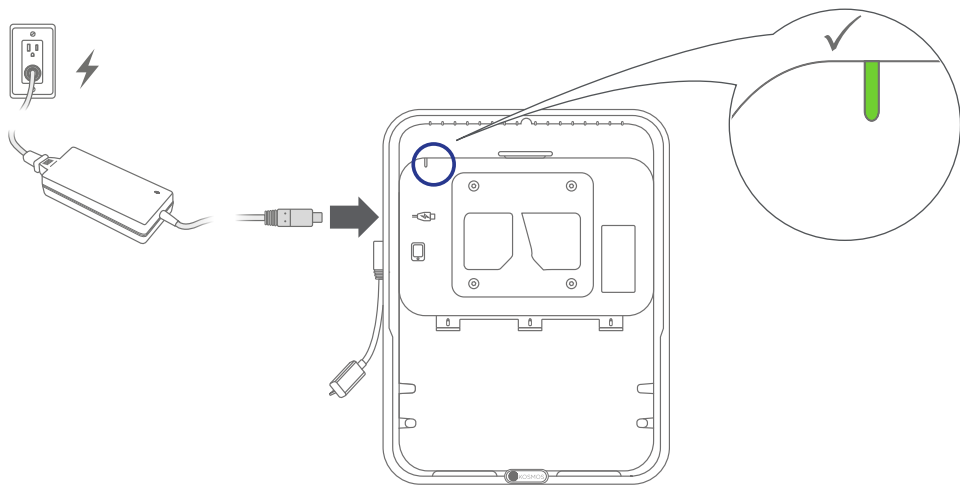


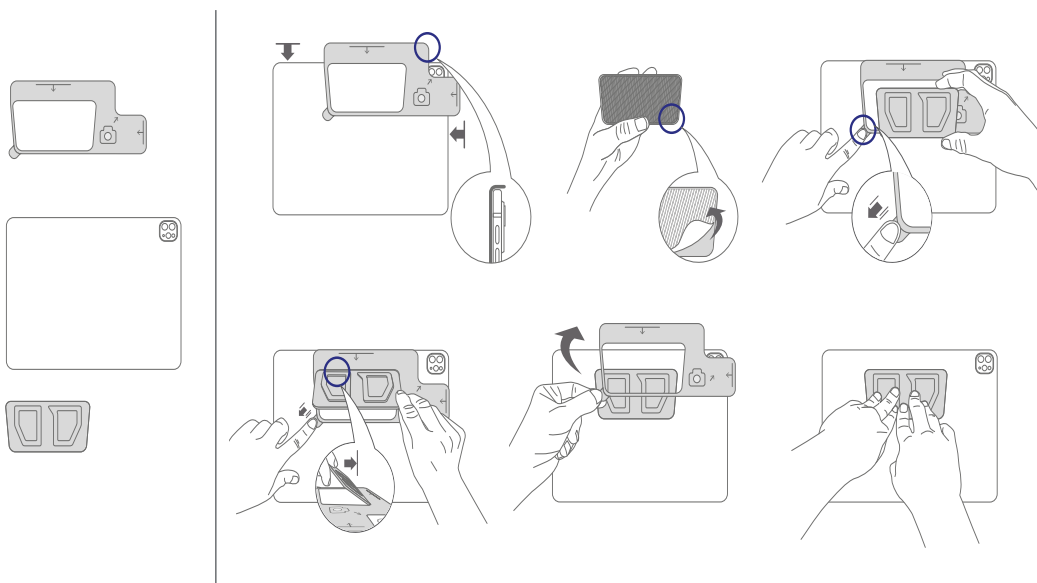
# Kosmos Link



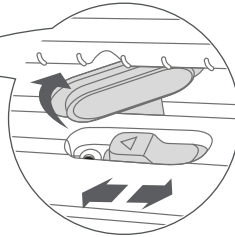
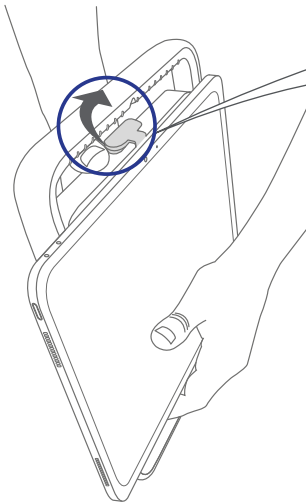
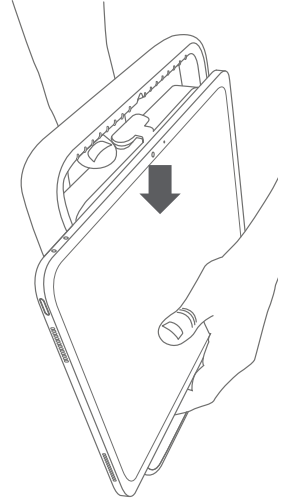
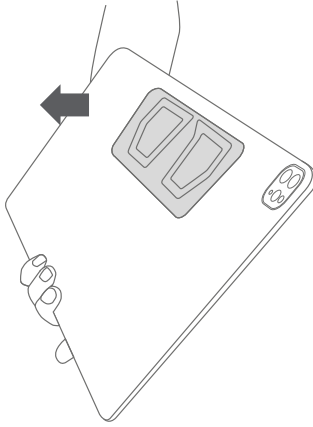
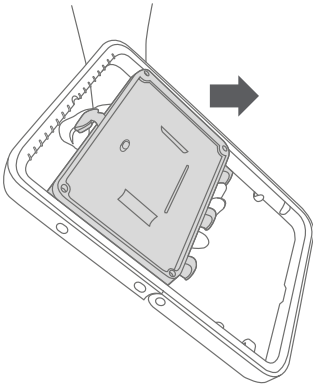
1.



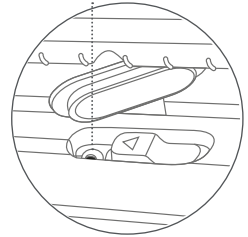
2.



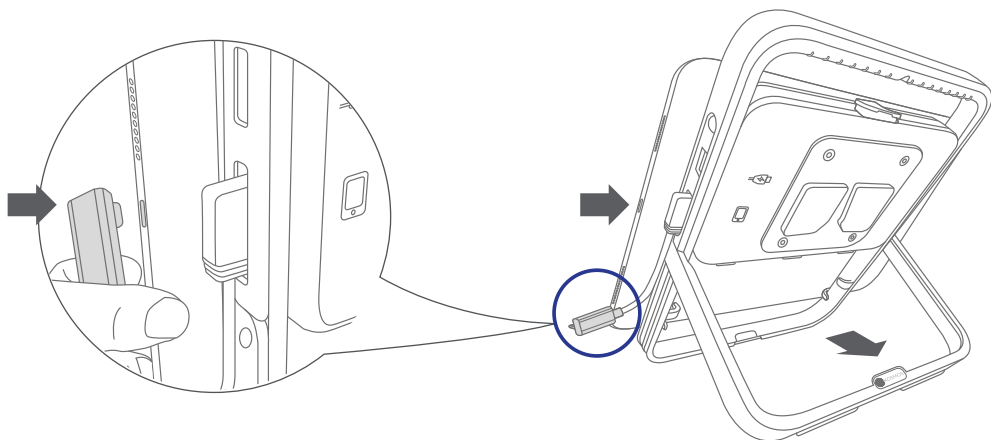
3.



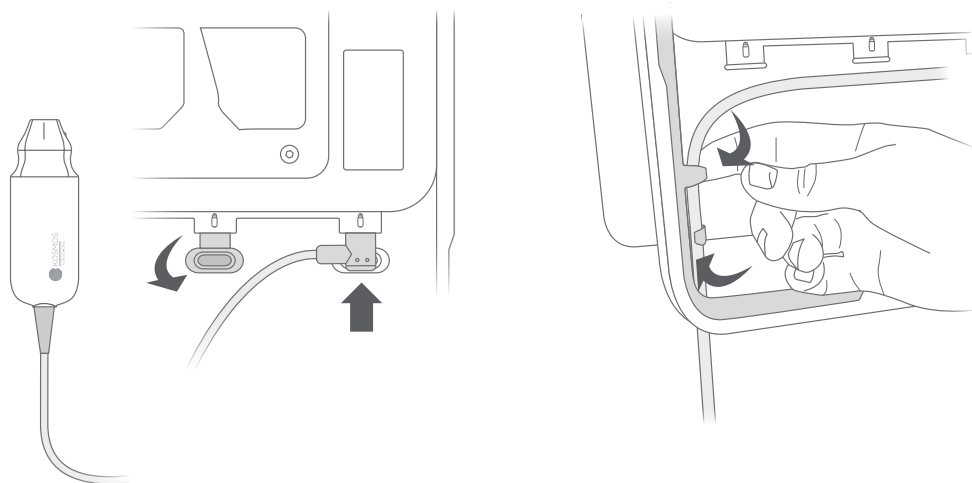
  (Optional) 



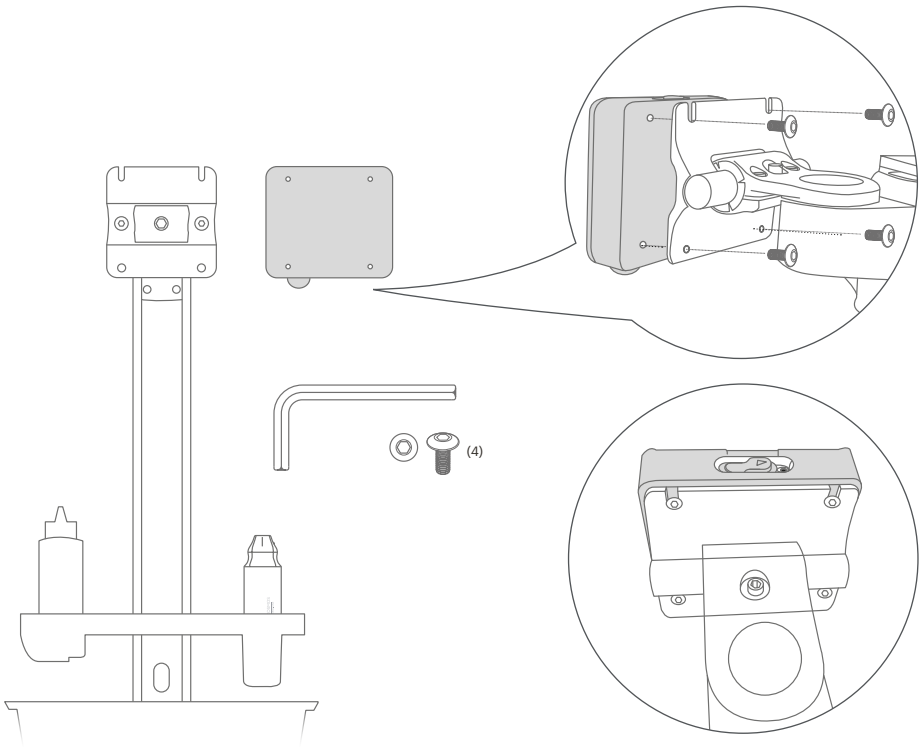
4.



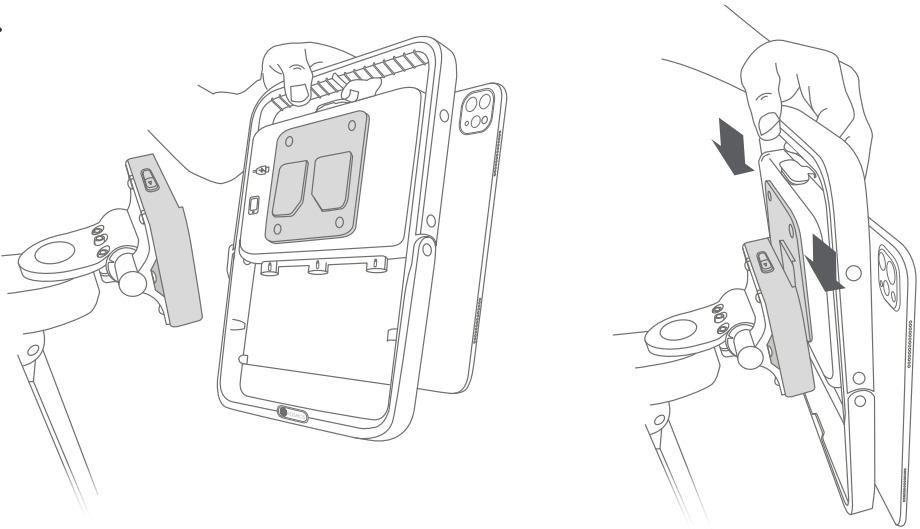
5.



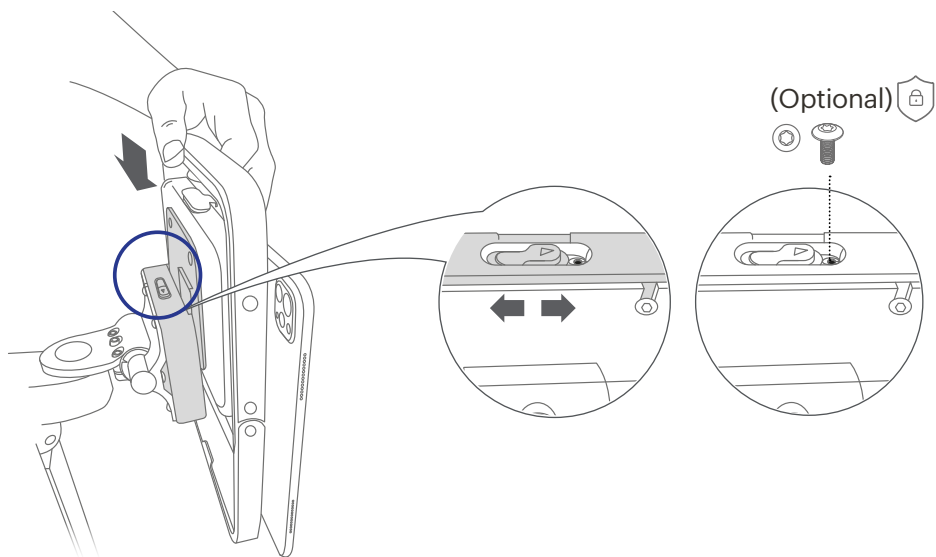
6.



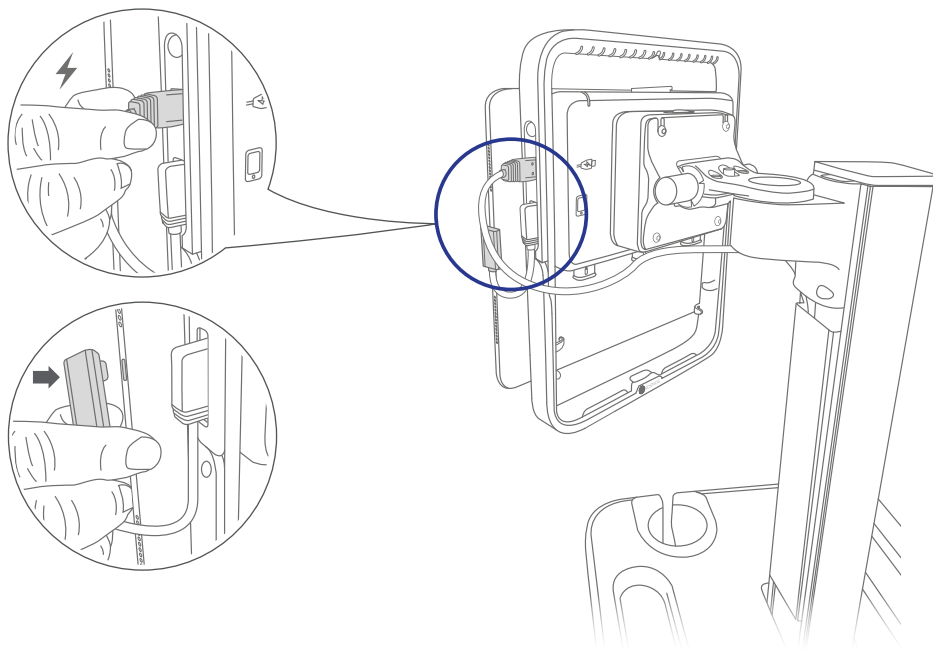
7.



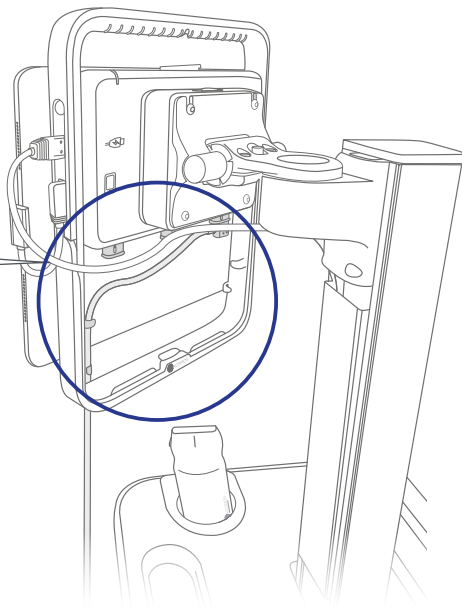
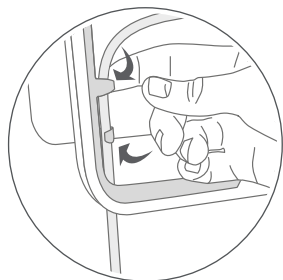
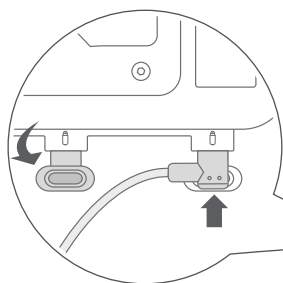
8.



9.



10.



## Customer Support

Call 1-844-854-0800  
Email [support@echonous.com](mailto:support@echonous.com)



For electronic and translated versions of the Kosmos Link Quick Start Guide, scan the QR code or visit [echonous.com/product/resources](https://echonous.com/product/resources)

Printed versions of the Kosmos User Guides may be requested by emailing [service@echonous.com](mailto:service@echonous.com) or by calling 1-844-854-0800.

⚠ **Caution:** Federal (United States) law restricts this device to sale by or on the order of a physician.

**Note:** Not all features are available in all markets, please check with your local representative for availability in your region.

