



Hardware

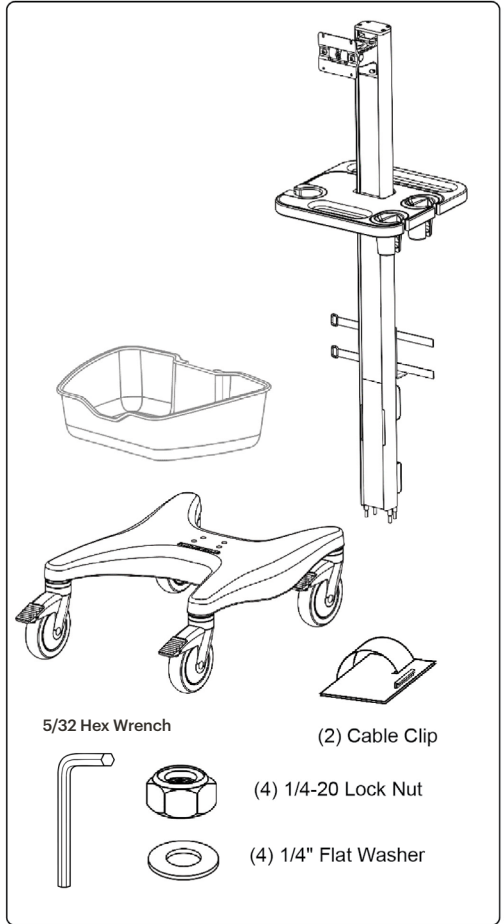
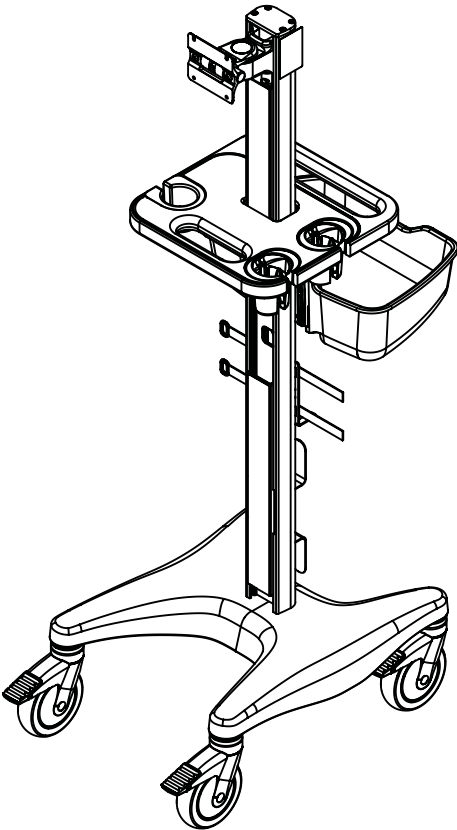
AI Station Setup Quick Start Guide

AI Station Setup

Quick Start Guide for AI Station Setup

Getting Started

What's in the box



Not included but required for assembly

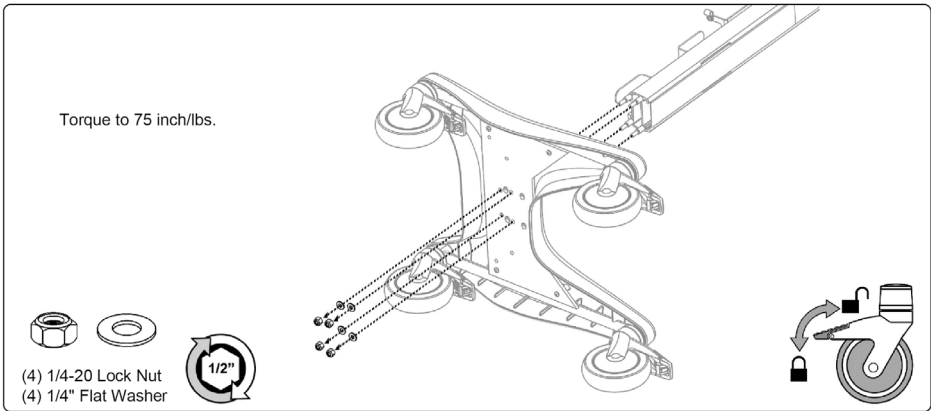


1/2" (13mm) Socket Wrench

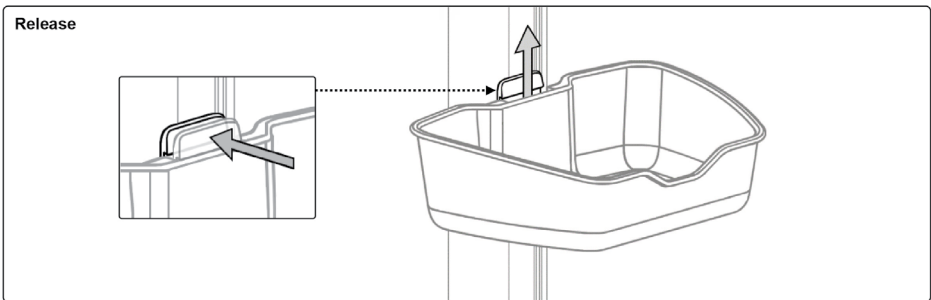
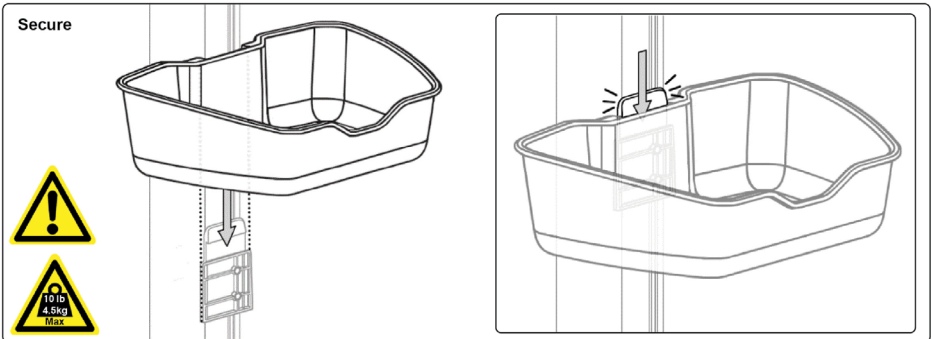


Phillips Screwdriver

Attaching Column to Base



Utility Bin

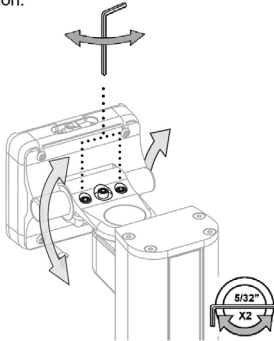


Install device or monitor in accordance with manufacturer supplied instructions.

Installation Note: Tilt and Swivel tension should only be adjusted after the monitor is installed.

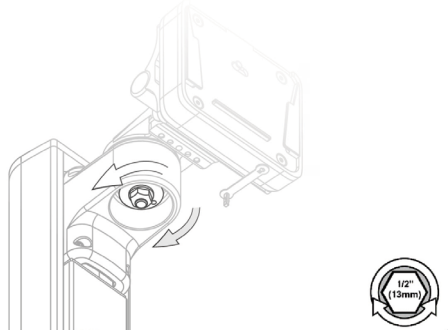
Tilt Tension

Adjust tilt tension by equally tightening or loosening (2) Tension Adjustment Screws with a 5/32" hex wrench. Once overall tilt tension is set, use the center screw to fine tune/lock tilt position.

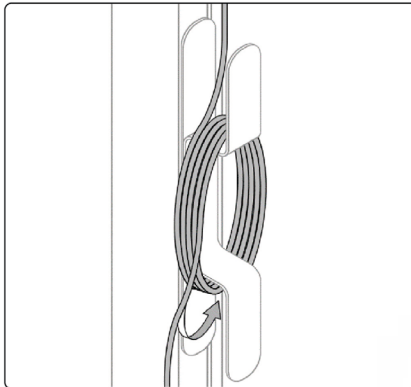


Swivel Tension

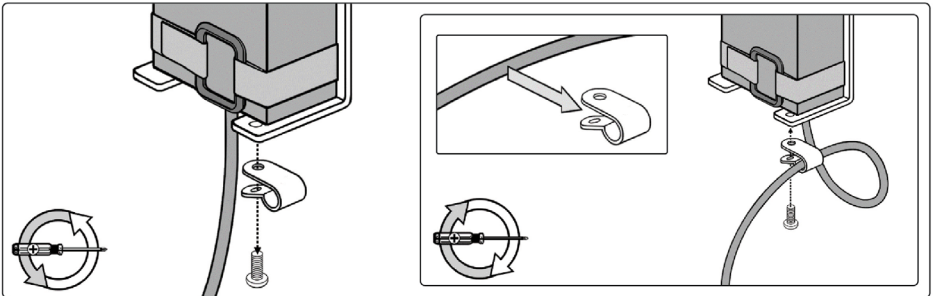
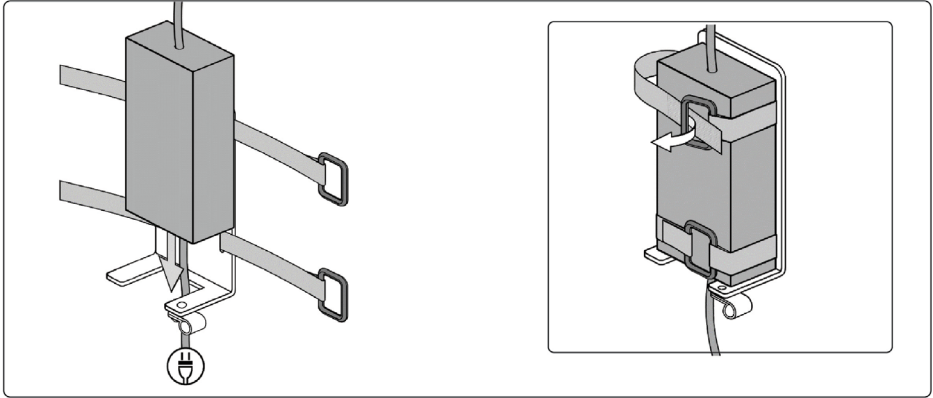
Adjust swivel tension by tightening or loosening the swivel tension nut with a 1/2" (13mm) socket wrench until desired swivel tension is achieved.



Cord Wrap



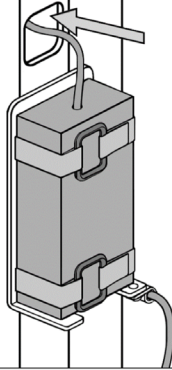
Installing Power Supply



Cable routing

Column Cutouts

Route cable through cutouts in the column and up to tablet.

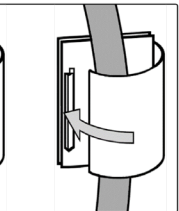
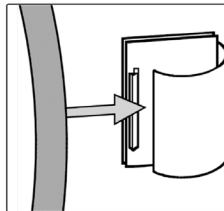
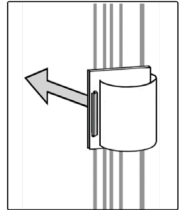
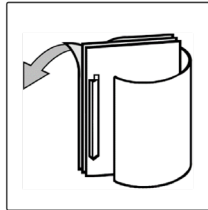
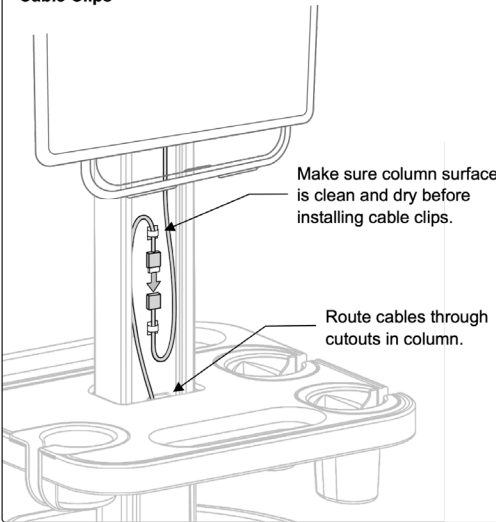


Cable Cleat

Store power supply cord on cable cleat.



Cable Clips





Customer Support



EchoNous, Inc.
8310 154th Ave. NE, Building B, Suite 200
Redmond, WA 98052

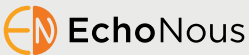
Call 1-844-854-0800
Email support@echonous.com

Refer to user guide before use.

△ **Caution:** Federal (United States) law restricts this device to sale by or on the order of a physician.

Note: Not all features are available in all markets, please check with your local representative for availability in your region.

Please visit www.echonous.com for a current list of compatible tablets.



Android is a trademark of Google LLC.

© EchoNous, Inc., or its affiliates. All rights reserved.

EchoNous, echonous.com, and the EchoNous logo are trademarks of EchoNous, Inc. 8310 154th Ave. NE, Building B, Suite 200, Redmond, WA 98052.

P008723-001_Rev A