

ECHONOUS CARRYING CASE QUICK START GUIDE

For EchoNous Bladder and Vein

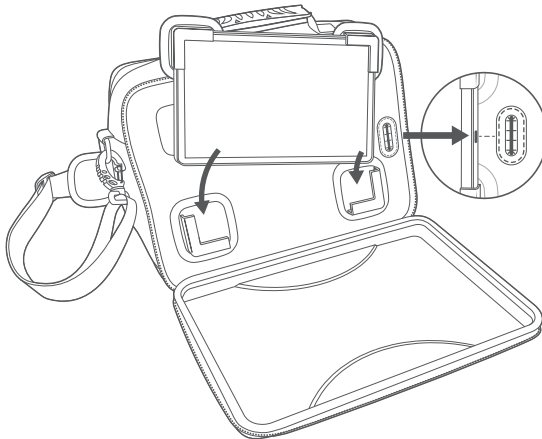
The EchoNous System is for non-invasive imaging of the human body and is intended for the following applications: Abdominal, Musculoskeletal, Pediatric, Small Organ, Peripheral Vessel. Users must have ultrasound training for abdominal, musculoskeletal, pediatric, and small organ imaging. Users must have training for ultrasound guided vascular access.

The EchoNous System can also be used to obtain an image of the bladder that is used to automatically determine bladder volume.



Refer to user manual before use.

Caution: Federal (USA) law restricts this device to sale by or on the order of a physician.

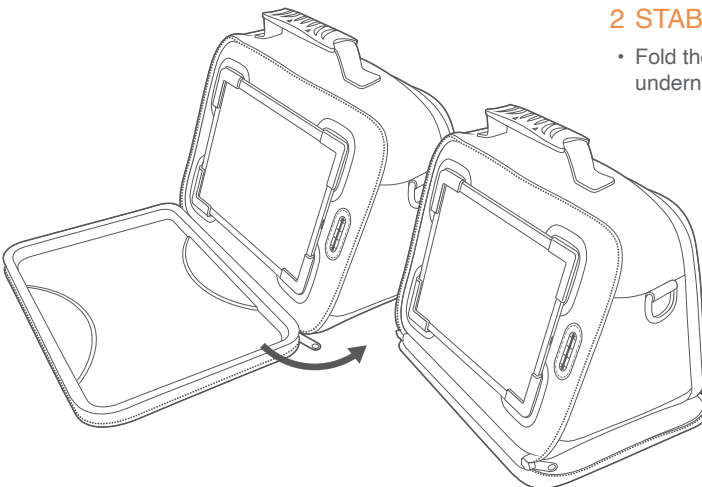


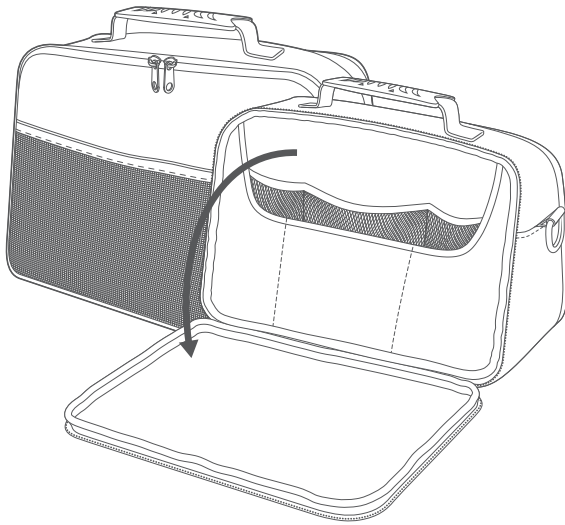
1 INSTALL THE TABLET

- Unzip the EchoNous front cover
- Secure the bottom two velcro tabs so that they are the width of the tablet
- Ensure that the USB connector aligns with the grommet on the right side of the carrying case
- Place the top two velcro tabs onto the tablet, slide the tablet into the bottom tabs and press to secure tablet

2 STABILIZE BASE

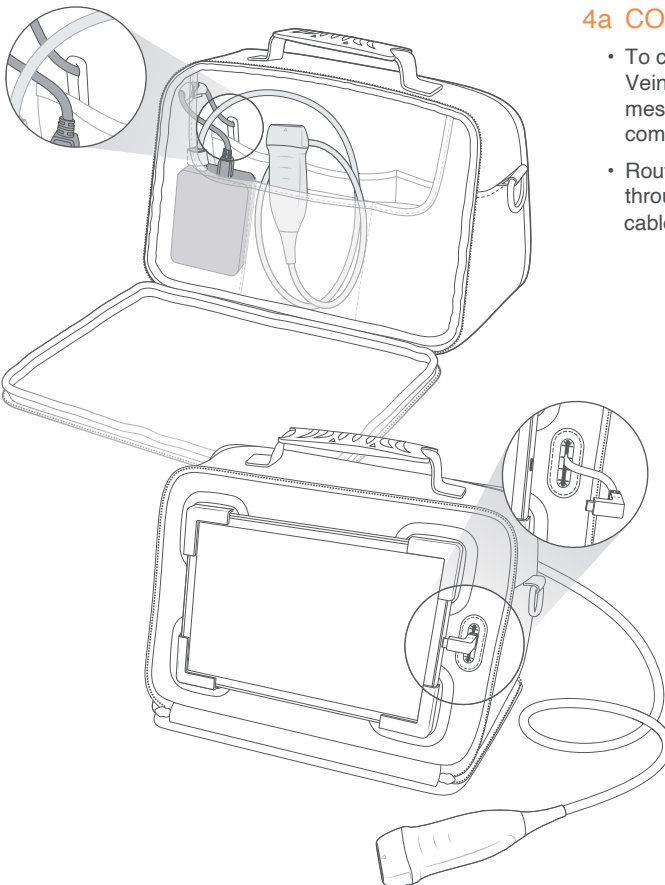
- Fold the EchoNous front cover underneath the carrying case





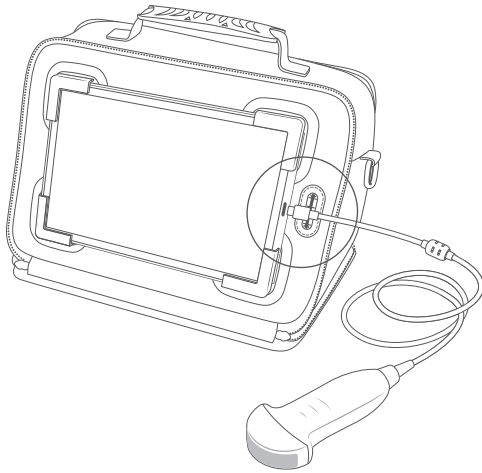
3 REVEAL INTERNAL STORAGE

- Unzip the back panel to reveal storage for the probes, gel or other items.



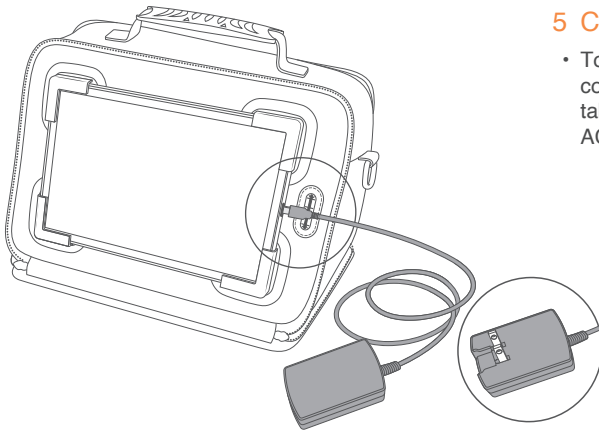
4a CONNECT ECHONOUS VEIN

- To connect the optional EchoNous Vein probe, place the e-box in the mesh pocket in the main storage compartment
- Route the cable from the e-box out through the grommet and plug the cable into the tablet



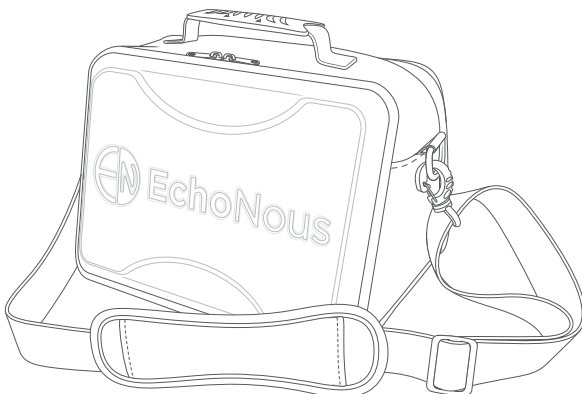
4b CONNECT ECHONOUS BLADDER

- To connect the optional EchoNouS Bladder probe, plug the USB C cable into the tablet



5 CHARGE THE TABLET

- To charge the tablet, connect the USB connector of the power supply into the tablet and plug the power cord to an AC socket



6 STORE AND CARRY

- When done scanning, unplug the probe and place it back into the storage compartment
- The EchoNouS Carrying Case can either be carried by the handle or by the shoulder strap.