

Probe Connector Guard for Kosmos on Android and iOS

The connector guard is included with the purchase of a Lexsa probe or Torso-One USB probe to provide additional cable support when a Kosmos probe is connected to an Android or iOS tablet. Please read through the instructions prior to installation.

Important Notes

The connector guard is an optional accessory that is to be used with Android or iOS tablets. The connector guard is not compatible with Kosmos Bridge.

EchoNous recommends attaching the connector guard to the tablet. The connector may fit on a tablet case, but varying case materials may result in reducing the adhesiveness.

The connector guard is meant to remain on the tablet. If the connector guard is removed from the tablet, the adhesive strip may leave an adhesive residue on the tablet.

Clean tablet surface before installing connector guard.

For a current list of compatible tablets, please visit echonous.com/product/device-compatibility.

For translated connector guard installation instructions, please visit echonous.com/kosmos-resources.

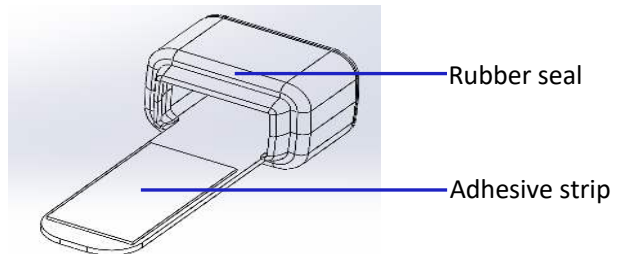
Installation Instructions

What you'll need:

- Kosmos Probe (Lexsa or Torso-One USB)
- iOS or Android Tablet
- Connector guard

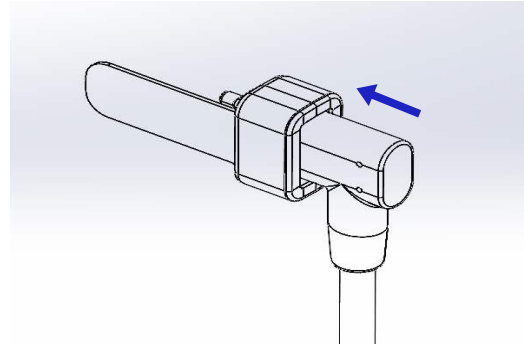
To install the connector guard:

1. Peel off the release liner from the adhesive strip.

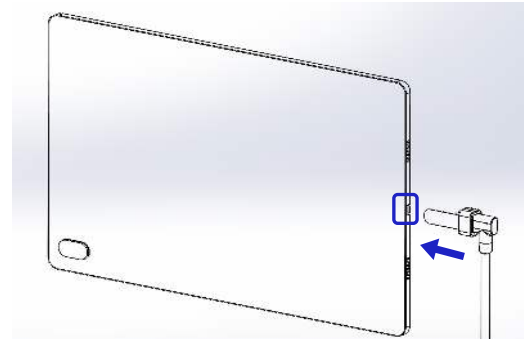


Use the probe cable to ensure the connector guard is placed in correct location:

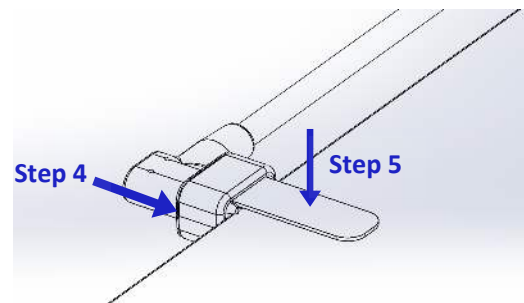
2. Insert the probe cable into the connector guard.



3. Plug the probe cable/connector combo into the tablet USB-C port but do NOT allow the adhesive to contact the tablet until Step 5.



4. Press the rubber seal firmly against the edge of the tablet.
5. Press down on the metal portion of the connector guard to secure adhesive.



If you have any questions, contact EchoNous Customer Service by telephone at (844) 854-0800 or via email at service@echonous.com.